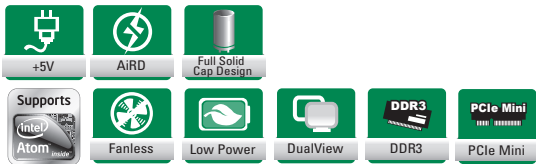
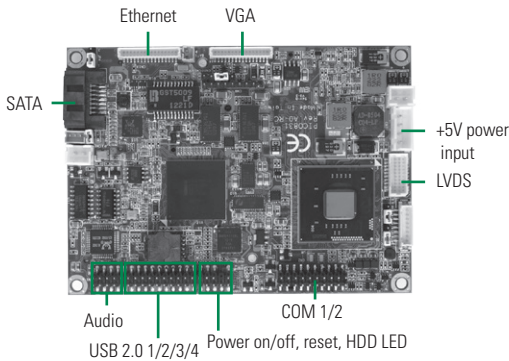


PICO831

Intel® Atom™ N2600/N2800 Pico-ITX SBC with Intel® NM10 Chipset, LVDS/VGA, LAN and Audio



System

CPU	Intel® Atom™ processor N2800 1.8 GHz, N2600 1.6 GHz dual core onboard
System Memory	1 x 204-pin DDR3-800/1066 SO-DIMM max. up to 4 GB (N2600 supports DDR3 800 max. up to 2 GB)
Chipset	Intel® NM10
BIOS	AMI UEFI BIOS
SSD	SATA SSD 16 GB (optional)
Watchdog Timer	255 levels, 1~255 sec.
Expansion Interface	1 x full-Size Mini PCI Express Mini Card with mSATA supported 1 x half-Size Mini PCI Express Mini Card
Battery	Lithium 3V/220mAH
Power Input	1 x 4-pin connector +5V DC-in only AT Auto Power On function supported
Power Requirements	Intel® Atom™ N2800 @ 1.86 GHz, 1 GB DDR3 Max. RMS: +5V @ 2.9A Intel® Atom™ N2600 @ 1.6 GHz, 1 GB DDR3 Max. RMS: +5V @ 2.6A
Size	100 x 72 mm
Board Thickness	1.6 mm
Temperature	0°C ~ +60°C (32°F ~ 140°F), operation
Relative Humidity	10% ~ 95% relative humidity, non-condensing

I/O

MIO	1 x RS-232/422/485 1 x RS-232
SATA	1 x SATA-300
Hardware Monitoring	Detect CPU/system temperature and voltage
Ethernet	1 port as 10/100/1000 Mbps supports Wake-on-LAN, PXE Boot ROM with Realtek RTL8111E
Audio	HD Codec audio as MIC-in/Line-in/Line-out with Realtek ALC662
USB	4 x USB 2.0
SMBus	System Management Bus for advanced monitoring/control
Digital I/O	N/A

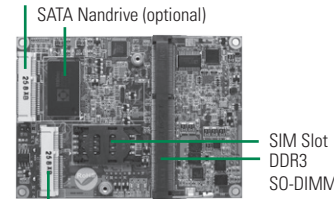
Display

Chipset	Intel® GMA 3650 graphics core for N2800 Intel® GMA 3600 graphics core for N2600
Memory Size	Share System memory
Display Interface	1 x VGA 1 x LVDS; 18/24-bit single channel

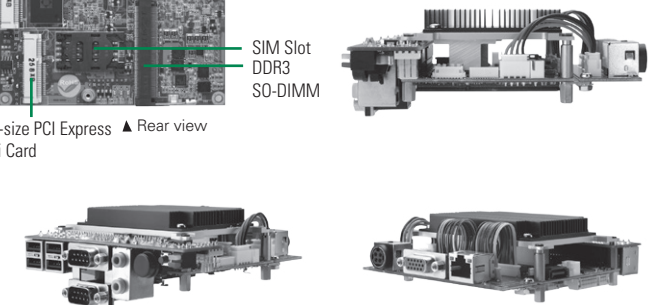
Features

- Intel® Atom™ processor N2800 (1.8 GHz)/ N2600 (1.6 GHz) dual core onboard
- 1 DDR3 SO-DIMM supports up to 4 GB memory capacity
- 4 USB 2.0 ports
- 2 COM ports
- Display: LVDS, VGA

Full-size PCI Express Mini Card w/mSATA supported



Half-size PCI Express Mini Card



▲ Assembly view

Packing List

Standard

Quick installation guide, user's manual/utility CD and accessories

Accessories

Part Number	Description	Qty
85932651000E	AX93265 I/O board	1
85932671000E	AX93267 I/O board	1
59406308010E	SATA cable	1
59405300610E	SATA power cable	1
5078H831000E	Heatspreader	1
5078H100200E	Heatsink	1

Optional

594H8302800E	USB CABLE 20x2P P=2.0 mm L=200 mm
594H8303000E	AUDIO CABLE 20x2P P=2.0 mm L=200 mm
594H8301600E	Power/Reset button + LED CABLE
594H8302100E	COM CABLE 10x2P P=2.0 mm L=200 mm
59340000200E	USB+AUDIO+LED CABLE L=200 mm

Ordering Information

Standard

PICO831VGA-N2600	Pico-ITX SBC with Intel® Atom™ processor N2600 1.6 GHz, VGA/LVDS, 1 GbE LAN, 2 COM, 4 USB and Audio (P/N: E38H831101)
PICO831VGA-N2800	Pico-ITX SBC with Intel® Atom™ processor N2800 1.8 GHz, VGA/LVDS, 1 GbE LAN, 2 COM, 4 USB and Audio (P/N: E38H831100)