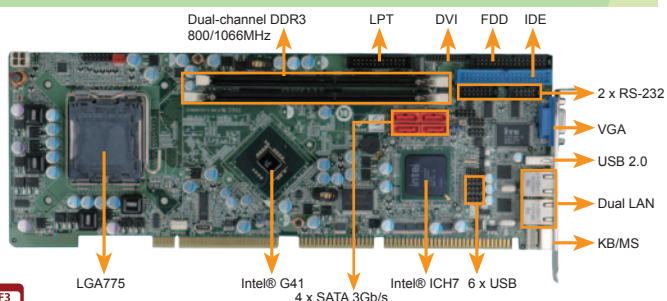


WSB-G41A-R11

PICMG 1.0 CPU card with Intel® G41 supports LGA775 Intel® Core™2 Quad, VGA, DDR3, Dual PCIe GbE, SATA 3Gb/s, COM, USB 2.0, Audio and RoHS



Features

1. PICMG 1.0 form factor
2. Supports Intel® LGA775 Core™2 Quad processor up to 1333 MHz FSB
3. Dual-channel 800/1066MHz DDR3 SDRAM supports up to 8 GB
4. Dual Intel® GbE Ethernet, four SATA 3Gb/s, and two RS-232 serial port connectors
5. IEI One Key Recovery solution allows you to create rapid OS backup and recovery

Specifications

- ◆ CPU
LGA775 45nm Intel® Core™2 Quad, Core™2 Duo, Pentium® D, Celeron® processors at FSB 800/1066/1333MHz
- ◆ System Chipset
Intel® G41 + ICH7
- ◆ BIOS
AMI BIOS
- ◆ System Memory
Two 240-pin 4GB (max.) 800/1066MHz dual-channel DDR3 SDRAM DIMMs supported (system max. 8GB)
- ◆ Ethernet
Dual PCIe Intel® 82583V GbE controller
- ◆ I/O Interface
2 x RS-232 1 x IDE 1 x LPT 1 x Keyboard and mouse (PS/2) 1 x 5-pin on-board header for KB 7 x USB 2.0 (1 on bracket, 6 on board by pin header)
- ◆ Digital I/O
8-bit digital I/O, 4-bit input/4-bit output
- ◆ Infrared Interface: 1 x Infrared by pin header
- ◆ Super I/O: ITE IT8718F
- ◆ Display Interface
VGA integrated in Intel® G41 DVI by Silicon Image SIL1362 (WSB-G41A-DVI only)
- ◆ Audio
10-pin on-board header connects to the IEI audio kit
- ◆ Watchdog Timer
Software programmable supports 1 ~255 sec. system reset
- ◆ Power Supply: AT/ATX power
- ◆ Power Consumption
5 V @ 7.13A, 12 V @ 0.27A, 5VBS@0.11A, Vcore@3.02A running 3D Mark2001SE with Intel® Core™2 Duo E8500 3.16GHz, two 2GB DDR3
- ◆ Operating Temperature : -10°C~ 60°C
- ◆ Storage Temperature: -20°C ~ 70°
- ◆ Operating Humidity
5% ~ 95%, non-condensing
- ◆ Dimensions: 338 mm x 122 mm
- ◆ Weight: GW: 1100g

Packing List

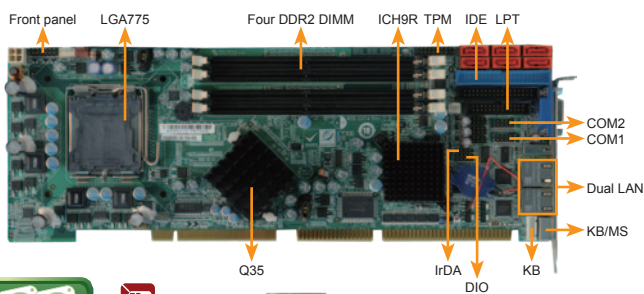
| | |
|--|----------------------|
| 1 x WSB-G41A single board computer | |
| 4 x SATA cable (P/N: 32000-062800-RS) | |
| 1 x Dual RS-232 cable (P/N: 19800-000051-RS) | |
| 1 x KB/MS Y cable (P/N: 32006-000300-100-RS) | |
| 1 x IO-KIT-001-R20 (For WSB-G41A-DVI-R10) | 1 x Mini jumper pack |
| 1 x USB cable (P/N: 19800-003100-300-RS) | 1 x QIG |
| 1 x One Key Recovery CD | 1 x Utility CD |

Ordering Information

| Part No. | Description |
|---------------------|--|
| WSB-G41A-R11 | PICMG 1.0 CPU card with Intel® G41 supports LGA775 Intel® Core™2 Quad CPU, VGA, DDR3, dual PCIe GbE, SATA 3Gb/s, COM, USB 2.0 and RoHS |
| WSB-G41A-DVI-R11 | PICMG 1.0 CPU card with Intel® G41 supports LGA775 Intel® Core™2 Quad CPU, VGA/DVI, DDR3, dual PCIe GbE, SATA 3Gb/s, COM, USB 2.0 and RoHS |
| AC-KIT-892HD-R10 | 7.1 channel HD audio kit with Realtek ALC892 supports dual audio streams |
| AC-KIT08R-R10 | 5.1 channel AC'97 audio kit with Realtek ALC655 |
| 19800-000100-200-RS | 4-port USB cable with bracket |
| CF-775A-RS | CPU cooler for 130W |
| CF-520-RS-R11 | CPU cooler for 115W |
| CF-775B-RS | 1U CPU cooler for 90W |
| 32225-002000-200-RS | ATA 66 flat cable |
| 32102-000100-200-RS | SATA power cable |
| 19800-000049-RS | LPT cable |
| 32200-000017-RS | FDD cable |

WSB-Q354-R41

PICMG 1.0 CPU card supports Intel® LGA775 Core 2 Duo CPU in 45nm process at FSB 800/1066/1333MHz, Intel® Q35 & ICH9R, VGA, dual PCIe GbE, Six SATA 3Gb/s with RAID, IDE, FDD, LPT, USB 2.0



Features

1. PICMG 1.0 and RoHS compliant
2. Supports Intel® LGA775 Core™2 Duo processor in 45 nm Process (Wofdale) 1333/1066/800MHz FSB
3. Intel® Q35 & ICH9R platform
4. 6 SATA 3Gb/s with Intel® Matrix Storage Technology supported
5. Dual Realtek RTL8111E GbE with ASF 2.0
6. TPM 1.2 IT security solution supported
7. IEI One Key Recovery solution allows you to create rapid OS backup and recovery

Specifications

- ◆ CPU
LGA775 45nm Intel® Core™2 Quad (Yorkfield), Core™2 Duo (Wofdale), Celeron® at FSB 800/1066/1333MHz processors
- ◆ System Chipset
Intel® Q35 + ICH9R
- ◆ BIOS
AMI BIOS
- ◆ System Memory
4 x 240-pin 800/667MHz dual-channel DDR2 SDRAM (system max. 8 GB)
- ◆ Ethernet
Dual Realtek RTL8111E GbE with ASF 2.0
- ◆ IO Interface
2 x RS-232 7 x USB 2.0 (1 on bracket, 6 on board by pin header) 6 x SATA 3Gb/s support RAID 0, 1, 10, 5 1 x IDE 1 x FDD 1 x LPT 1 x Keyboard and mouse (PS/2) 1 x 5-pin on-board header for KB
- ◆ Digital I/O
8-bit digital I/O, 4-bit input/4-bit output
- ◆ Infrared Interface
1 x Infrared by pin header
- ◆ Audio
10-pin on-board header supports 7.1 channel HD audio by IEI AC-KIT-892HD-R10
- ◆ Graphics
Analog VGA output
- ◆ TPM 1.2
1 x TPM connector (2x10 pin) (Trusted Platrom Module)
- ◆ Watchdog Timer
Software programmable supports 1~255sec. system reset
- ◆ Power Supply
ATX
- ◆ Power Consumption
5V@5.97A, 5Vsb@0.07A, 12V@0.29A, Vcore@2.97A (Intel® Core™2 Duo E8500 3.16 GHz, four 2GB 800MHz DDR2 running 3DMark 2001SE)
- ◆ Operation Temperature
0°C ~ 60°C (32°F ~ 140°F)
- ◆ Storage Temperature
-10°C ~ 70°
- ◆ Operating Humidity
5% ~ 95%, non-condensing
- ◆ Dimensions: 338 mm x 122 mm
- ◆ Weight: GW:1.1 kg

Packing List

| | |
|--|----------------------|
| 1 x WSB-Q354 single board computer | |
| 1 x ATA 66 flat cable (P/N: 32225-002000-200-RS) | |
| 1 x Dual RS-232 cable (P/N: 19800-000051-RS) | |
| 1 x KB/MS Y-cable (P/N: 32006-000300-100-RS) | |
| 3 x SATA power cable (P/N: 32102-000100-200-RS) | |
| 6 x SATA cable (P/N: 32000-062800-RS) | 1 x Mini jumper pack |
| 1 x USB cable (P/N: 19800-003100-300-RS) | 1 x Utility CD |
| 1 x One Key Recovery CD | 1 x QIG |

Ordering Information

| Part No. | Description |
|---------------------|--|
| WSB-Q354-R41 | PICMG 1.0 CPU card supports Intel® LGA775 Core™2 Duo CPU in 45nm process at 800/1066/1333MHz FSB, Intel® Q35 & ICH9R, VGA, dual PCIe GbE, six SATA 3Gb/s with RAID, IDE, FDD, LPT, USB 2.0 |
| AC-KIT-892HD-R10 | 7.1 Channel HD audio kit with Realtek ALC892 supports dual audio streams |
| CF-775A-RS | High performance CPU cooler (92 mm x 92 mm x 73 mm, 130W) |
| CF-520-RS-R11 | High performance CPU cooler (115 mm x 115 mm x 67 mm, 115W) |
| TPM-IN01-R11 | 20-pin Infineon TPM module, software management tool, firmware V3.17 |
| 32225-002000-200-RS | IDE flat cable |