

Poindus

G8s & G10s

Fully Rugged Tablet





Features

Dual OS Support

Available with either Windows or Android platforms.



User select 4 touch modes

Suitable for most logistic tasks indoor or outdoor. Hand, Glove, Stylus or Rain touch mode support.



Expansion Bays for Precise & Convenient Data Collection

Support for Barcode 1D/2D scanner, HF RFID, Fingerprint reader, and MSR; additionally, brackets are available for 3rd party mPOS devices, giving the flexibility for demand.



Built to Survive

Rated IP65-Ingress Protection and MIL-STD-810G (1.2 meter drop test onto face, edges and corners for a total of 26 drops), the G8s and G10s are ruggedized for extended life, indoors and outdoors.



Seamless Connection

G8s / G10s support WLAN (2.4 GHz & 5.0 GHz), Bluetooth 4.0, optional WWAN and GNSS connection.



HOT Swappable Battery for Uninterrupted Usage

8,000 mAh (G8s-3.7V, G10s-3.8V) long battery life, hot swappable for uninterrupted use during long shifts. (optional)

Ordering Information

G8s

- 8" 1280 x 800 LCD, Intel® Cherry Trail x7-Z87XX series 1.6 GHz CPU, Windows 10 IoT Enterprise
- 8" 1280 x 800 LCD, Intel® Cherry Trail x7-Z87XX series 1.6 GHz CPU, Android 7.0

G10s

- 10.1" 1920 x 1200 LCD, Intel® Cherry Trail x7-Z87XX series 1.6 GHz CPU, Windows 10 IoT Enterprise
- 10.1" 1920 x 1200 LCD, Intel® Cherry Trail x7-Z87XX series 1.6 GHz CPU, Android 7.0

Detail features

- Intel Quad Core x7-Z87xx 1.6GHz processor (Cherry Trail)
- 8" (1,280 x 8,00 WXGA) & 10.1" (1,920 x 1,200 WUXGA) LCD panel with 300 nits (G8s) and 380 nits (G10s) brightness
- User-selectable touch mode sensitivity (Stylus, Hand, Rain or Glove)
- 8,000 mAh long battery life, hot swappable for uninterrupted use during long shifts
- IP65 rated protection and MIL-STD-810G design built survive 1.2 meter drop testing
- WLAN, Bluetooth 4.0, and optional WWAN and GNSS
- The built-in camera supports 8M pixels (Rear) & 2M pixels (Front) with auto focus and LED flash
- Wide modular expansion design for data capture
 1. 1D/2D optical barcode scanner
 2. Capacitive fingerprint reader
 3. HF RFID reader
 4. MSR



Optional Peripherals and Accessories



Stylus



Elastic Hand Strap



MSR



HF RFID Reader



1D / 2D Barcode Scanner



Fingerprint



Desktop Dock



LCM Module



Vehicle Dock (G10s)



Vehicle Dock (G8s)



VESA Dock



mPOS Bracket



Hot Swappable
Indicator Battery (G10s)



5 Bay
Battery Charger (G8s)

Specification

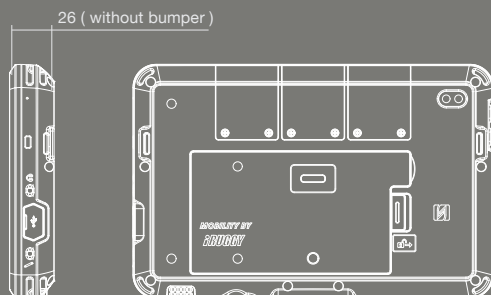
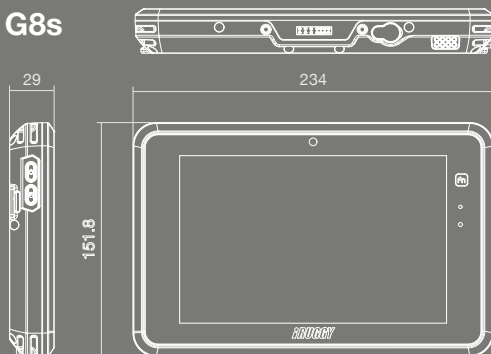
Model Name		● G8s	● G10s
Main Board	Processor	Intel® Atom x7-Z87XX series Quad-Core 1.6GHz	
	System Memory	4GB memory	
	Storage	64GB eMMC onboard	
		Micro SD slot	
LCD Touch Panel	LCD Size	8"	10.1"
	Resolution	1280 x 800 (WXGA)	1920 x 1200 (WUXGA)
	Touch Technology	Multi-touch	
Wireless Networking	Wireless LAN	802.11 a/b/g/n/ac	
	Bluetooth	4.0+LE (Class 2)	
	NFC	Yes	
	GPS	Dedicated GNSS (factory option)	
Color		Black	
I/O & Expansion	USB 2.0	NA	Yes
	Micro HDMI	NA	Yes
	Micro USB 2.0	Support OTG	
	Speaker	Yes, 1W x 1	Yes, 1W x 2
	Audio Jack	Yes	Yes
	Microphone	Yes	Yes
	Additional peripheral I/O available through optional POS Docking Station		
Control / Indicator	Camera	8MP auto focus rear camera with LED flash	
		2MP front camera	
Peripherals	MSR	3 Tracks MSR (Optional)	
	Scanner	1D/2D Barcode Scanner (Optional)	
	FingerPrint	Capacitive fingerprint reader (Optional)	
	RFID	HF RFID reader (Optional)	
	LAN and COM I/O module	RS-232 &10/100M LAN (by request)	
Battery & Power	Battery	8000 mAh (G8s 3.7V, G10s 3.8V)	
	Power Adapter	DC-in, with external AC adapter, (Output 5V DC, 4A, Input 100-240VAC, 50/60Hz) for charging	
OS Support		Windows 10 IoT Enterprise, Android 7	
Compliance	Protection	IP65, 1.2 M drop specification (MIL-STD-810G)	

Model Name		• G8s	• G10s
Dimension (W x H x D mm)		234 x 152 x 26 mm	277 x 185 x 20 mm
Weight		850 g (with Battery)	997 g (with Battery)
Environmental	Operating Condition	-10°C ~ 50°C, max. 35°C when Charging Battery 90% RH non-condensing	
	Storage Condition	-20°C ~ 70°C, 90% RH non-condensing	
Optional Accessories	POS Docking Station	Optional (1 x LAN, 3 x USB, 1 x COM, 1 x CDKO, 65W DC-in)	
	VESA charging mount	Optional (DC-in, 5V 4.0A)	
	Vehicle charging mount	Optional (USB, DC-in w/ cigarette power cord)	
	2mm precision tip stylus	Optional (Active)	
	Rear mounting bracket for mPOS devices	Optional	
	Elastic Hand Strap	Optional	

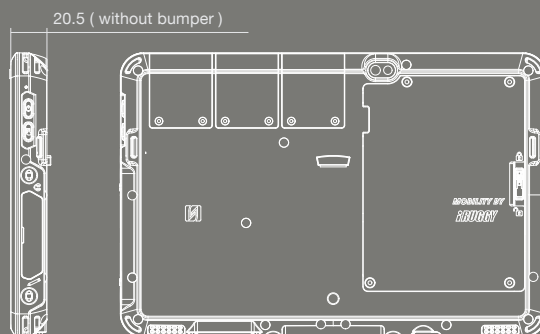
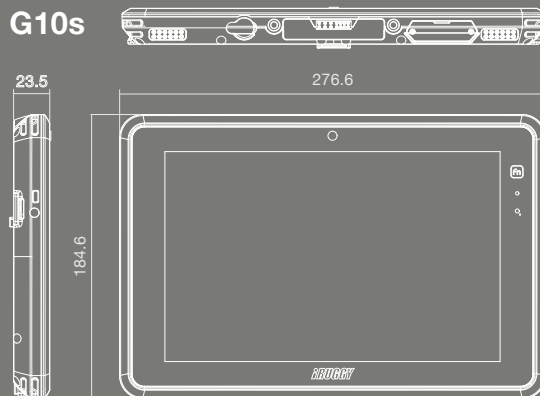
* The right has been reserved to change the specification without prior notice

Dimensions

G8s



G10s





Poindus Systems Corp. Headquarters

5F, No.59, Ln. 77, Xing-Ai Rd., Neihu Dist., Taipei City 114, Taiwan. R.O.C

☎ + 886 27721 4688

🖨 + 886 27721 2289

✉ sales@poindus.com

France

Paris Nord 2 - MicroPark – Bat. F
33 rue des Chardonnerets 93290 – Tremblay en France

☎ + 33 (0)1 80 90 74 20

✉ fr.sales@poindus.com

Germany

ADASYS GmbH Elektronische Komponenten
Max-Planck-Str. 10 70806 Kornwestheim

☎ + 49 7154 83000

🖨 + 49 7154 8300 599

✉ info@adasys.de

UK

12 Chancerygate Business Centre, Whiteleaf Road,
Hemel Hempstead HP3 9HD

☎ + 44 330 555 0081

🖨 + 44 330 555 0082

✉ puk@poindus.com