

Datasheet

# 2.5" PATA SSD

## 1ME series

- 2.5" PATA solution for industrial field
- iSMART disk health monitoring
- Intelligent error recovery system
- Excellent data transfer speed
- Enhanced power cycling management



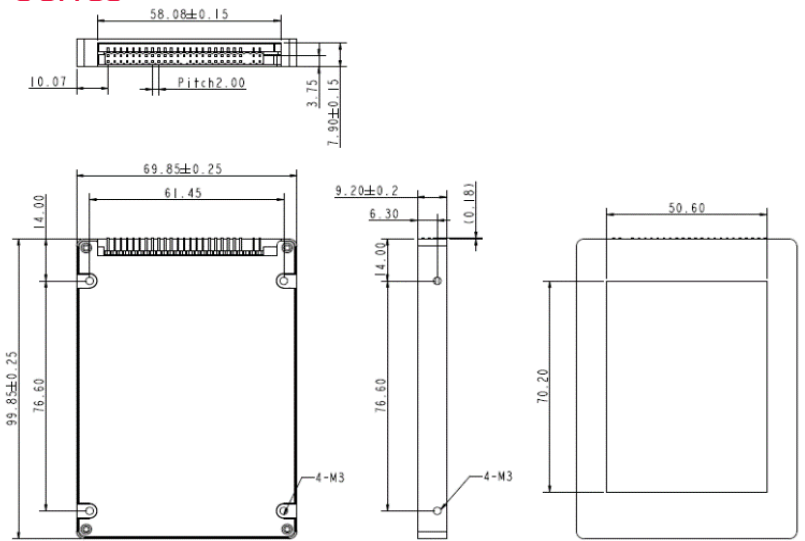
### Introduction

Innodisk 2.5" PATA SSD 1ME complies with ATA 7 standard, and supports Ultra DMA (0-5) and PIO (0-4) transfer modes, which delivers good performance and reliability making it the ideal solution for a variety of applications, including embedded system, industrial computing, and enterprise field. 2.5" PATA SSD 1ME not only performs unmatched performance, but also designed with Innodisk owned technical knowhow to ensure the data integrity and highest levels of reliability.

# 2.5" PATA SSD

## 1ME series

### Drawing



Contact us for more information about the 2.5" PATA SSD 1ME

Innodisk is a service-driven provider of industrial embedded flash and DRAM storage products and technologies, with a focus on the industrial/embedded, aerospace and defense, and cloud computing industries.

## Specifications

Interface	PATA
Flash Type	MLC
Flash P/E Cycle Limit	3,000
Capacity	8GB~256GB
Max. Channels	4
Sequential R/W (MB/sec, max.)	90 / 90
Max. Power Consumption	2.0 W (5V x 400 mA)
Thermal Sensor	ST-Optional WT-Default
External DRAM Buffer	-
H/W Write Protect	-
Pin7 Power	-
ATA Security	√
S.M.A.R.T.	√
Dimension (WxLxH)	69.85 X 99.85 X 9.20 mm
Environment	Vibration: 20G @ 7~2000Hz Shock: 1500G @ 0.5ms Storage Temperature: -55°C ~ +95°C MTBF: 3 million hours

### Headquarters (Taiwan)

5F., No. 237, Sec. 1, Datong Rd.,  
Xizhi Dist., New Taipei City,  
Taiwan (R.O.C.)  
Tel: +886-2-77033000  
Email: sales@innodisk.com

### Branch Offices:

USA  
[usasales@innodisk.com](mailto:usasales@innodisk.com)  
+1-510-770-9421  
Europe  
[eusales@innodisk.com](mailto:eusales@innodisk.com)  
+31-040-282-1818  
Japan  
[jpsales@innodisk.com](mailto:jpsales@innodisk.com)  
+81-45-594-7581  
China  
[sales\\_cn@innodisk.com](mailto:sales_cn@innodisk.com)  
+86-755-21673689  
[www.innodisk.com](http://www.innodisk.com)

© 2012 Innodisk Corporation.  
All right reserved. Specifications  
are subject to change without  
prior notice.

## Ordering Information

20140814

Operation Temp.	8GB	16GB	32GB	64GB	128GB	256GB
Standard Grade (0°C ~ +70°C)	DEP25-08GD06RC1SC	DEP25-16GD06RC1DC	DEP25-32GD06RC1QC	DEP25-64GD06RC1QC	DEP25-A28D06RC1QC	DEP25-B56D06RC1QC
Industrial Grade (-40°C ~ +85°C)	DEP25-08GD06SW1SC	DEP25-16GD06SW1DC	DEP25-32GD06SW1QC	DEP25-64GD06SW1QC	DEP25-A28D06SW1QC	DEP25-B56D06SW1QC

**innodisk**

[www.innodisk.com](http://www.innodisk.com)