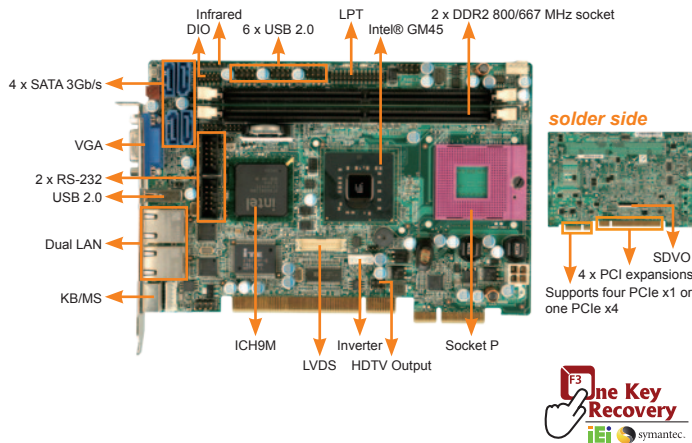


PIC0e-GM45A

Half-size PCIe CPU card supports socket P Intel® Core™2 Duo processors and comes with VGA, LVDS, HDTV-out, Dual PCIe GbE, SATA 3Gb/s and USB 2.0



Features

1. PCIe CPU card supports four PCIe x1 or one PCIe x4 and 4 x PCI expansions
2. Supports Intel® 45nm socket P Core™2 Duo processors with a 1066/800/667MHz FSB
3. Built-in Intel® GMA 4500MHD with hardware MPEG-2 decoding, WMV9 and H.264 supported
4. 4GB (max.) of 800/667MHz dual-channel DDR2 memory supported
5. Dual PCIe GbE, two RS-232, seven USB 2.0 and four SATA 3Gb/s
6. IEI One Key Recovery solution allows you to create rapid OS backup and recovery

Specifications

- ◆ CPU: Socket P Intel® Core™2 Duo processor with a 1066/800/667 MHz FSB
- ◆ System Chipset: Intel® GM45 + ICH9M
- ◆ BIOS: AMI BIOS
- ◆ System Memory: Two 240-pin 800/667 MHz dual-channel DDR2 SDRAM DIMM supported (system max. 4 GB)
- ◆ Ethernet: Dual Intel® 82574L PCIe GbE controller
- ◆ I/O Interface: 2 x RS-232, 7 x USB 2.0, 4 x SATA 3Gb/s, 1 x LPT, 1 x PS/2 connector for KB/MS
- ◆ Digital I/O: 8-bit digital I/O, 4-bit input/4-bit output
- ◆ Infrared Interface: 1 x Infrared by pin header
- ◆ Super I/O: ITE IT8718F
- ◆ Display Interface: VGA integrated in Intel® GM45, HDTV/TV supports NTSC/PAL and HDTV resolution up to 1080i, 18/24-bit dual-channel LVDS
- ◆ Audio: HD audio supported by IEI AC-KIT-892HD-R10
- ◆ Watchdog Timer: Software programmable supports 1 ~255 sec. system reset
- ◆ Power Supply: AT/ATX function supported
- ◆ Power consumption: 5V@5.59A, 12V@0.15A (Intel® Core™2 Duo T9400 2.53 GHz with 4 GB DDR2 800 MHz)
- ◆ Operating Temperature: 0°C ~ 60°C (32°F ~ 140°F)
- ◆ Storage Temperature: -10°C ~ 70°C
- ◆ Operating Humidity: 5% ~ 95%, non-condensing
- ◆ Dimensions: 185 mm x 122 mm
- ◆ Weight: GW: 1000 g/NW: 250 g

Packing List

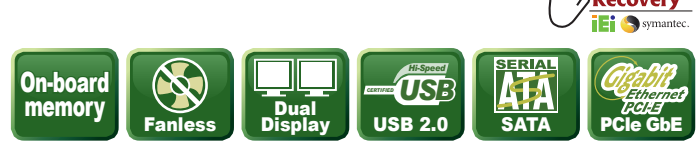
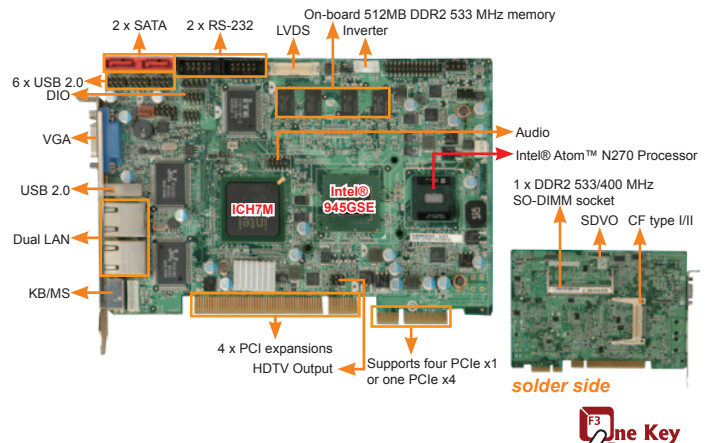
1 x PIC0e-GM45A single board computer	
1 x SATA power cable (P/N: 32102-000100-200-RS)	
1 x KB/MS Y cable (P/N: 32006-000300-100-RS)	1 x One Key Recovery
1 x Dual RS-232 cable (P/N: 19800-000051-RS)	1 x Mini jumper pack
1 x USB cable (P/N: 19800-003100-300-RS)	1 x Utility CD
2 x SATA cable (P/N: 32000-062800-RS)	1 x QIG

Ordering Information

Part No.	Description
PIC0e-GM45A-R10	PCIe CPU card supports Intel® Core™2 Duo CPU with VGA/LVDS/HDTV-out, GbE, USB 2.0 and SATA
CF-479B-RS-R11	CPU cooler (50 mm x 50 mm x 26 mm, 50 W)
AC-KIT-892HD-R10	7.1 channel HD audio kit with Realtek ALC892 supports dual audio streams
32200-015100-RS	LPT cable
32100-087100-RS	ATX-12V cable

PIC0e-945GSE

Half-size PCIe CPU card with Intel® Atom™ processor, 512MB memory on board, VGA/LVDS/HDTV-out, Dual GbE, USB 2.0 and SATA



Features

1. PCIe CPU card supports four PCIe x1 or one PCIe x4 and 4 x PCI expansions
2. Intel® Atom™ processor N270 at 1.6GHz core speed with a 533 MHz FSB and 512 KB L2 cache
3. 512 MB of 533 MHz DDR2 SDRAM on board
4. Supports VGA, HDTV-out (up to 1080i) and 18-bit dual-channel LVDS with dual-display support
5. I/O includes two RS-232, seven USB 2.0 and two SATA
6. IEI One Key Recovery solution allows you to create rapid OS backup and recovery

Specifications

- ◆ CPU: On-board Intel® Atom™ N270 processor 1.6 GHz, 512 KB L2 cache with a 533MHz FSB
- ◆ System Chipset: Intel® 945GSE + ICH7M
- ◆ BIOS: AMI BIOS
- ◆ System Memory: On-board 512 MB DDR2 533 MHz memory and one 200-pin 533/400 MHz DDR2 SDRAM SO-DIMM supported (system max. 2GB)
- ◆ Ethernet: Dual PCI Realtek 8110SC GbE
- ◆ I/O Interface: 2 x RS-232, 2 x SATA, 1 x LPT, 1 x CF type I/II, 1 x PS/2 connector for KB/MS, 7 x USB 2.0 (1 on bracket, 6 on board by pin header)
- ◆ Digital I/O: 8-bit digital I/O, 4-bit input/4-bit output
- ◆ Infrared Interface: 1 x Infrared by pin header
- ◆ Super I/O: ITE IT8718F
- ◆ Display Interface: VGA integrated in Intel® 945GSE, HDTV/TV supports NTSC/PAL and HDTV resolution up to 1080i, 18-bit dual-channel LVDS
- ◆ Audio: Supports 7.1 channel HD audio or 5.1 channel AC-97 audio by IEI audio kits
- ◆ Watchdog Timer: Software programmable supports 1 ~255 sec. System reset
- ◆ Power Supply: AT/ATX Power
- ◆ Power consumption: 5V@2.89A, 12V@0.22A (Intel® Atom™ N270 1.6 GHz/533 MHz CPU with 1GB DDR2 533 MHz)
- ◆ Operating Temperature: 0°C ~ 60°C (32°F ~ 140°F)
- ◆ Storage Temperature: -10°C ~ 70°C
- ◆ Operating Humidity: 5% ~ 95%, non-condensing
- ◆ Dimensions: 185 mm x 122 mm
- ◆ Weight: GW: 1000 g/NW: 250 g

Packing List

1 x PIC0e-945GSE single board computer	
1 x KB/MS Y cable (P/N: 32006-000300-100-RS)	1 x One Key Recovery
1 x Dual RS-232 cable (P/N: 19800-000051-RS)	1 x Mini jumper pack
1 x USB cable (P/N: 19800-003100-300-RS)	1 x Utility CD
2 x SATA cable (P/N: 32000-062800-RS)	1 x QIG

Ordering Information

Part No.	Description
PIC0e-945GSE-N270-512MB-R10	PCIe CPU card with Intel® Atom™ N270 1.6 GHz processor, 512 MB memory on board, VGA/LVDS/HDTV-out, Dual GbE, USB 2.0, SATA
AC-KIT-892HD-R10	7.1 channel HD audio kit with Realtek ALC892 supports dual audio streams
AC-KIT08R-R10	5.1 channel AC'97 audio kit with Realtek ALC655
32102-000100-200-RS	SATA power cable
32200-015100-RS	LPT cable

Mouser Electronics

Authorized Distributor

Click to View Pricing, Inventory, Delivery & Lifecycle Information:

IEI:

[PICOe-945GSE-N270-512MB-R10](#)